



**CURRENT ELECTRIC**

A division of ACTOM (Pty) Ltd

ACTOM

---

# CURRENT ELECTRIC

## Manufacturers of Instrument Transformers

Current Electric was established in 1982 and is the leading manufacturer of Current and Voltage Transformers in South Africa, in June 2008 the business was acquired by ACTOM Group (previously known as Alstom Electrical Industries). The product range comprises of Current Transformers up to 33kV and Voltage Transformers up to 22kV for use in medium voltage reticulation products.

The company has a very strong design capability, all products are designed in-house and tested to the internationally accepted IEC standard. As well as extensive standard product ranges a vast number of special application Current and Voltage Transformers are supplied to individual customer specifications. The factory is situated in Knights Germiston and is equipped with modern plant and test equipment using world class manufacturing methods.

Product is supplied to all of the Medium Voltage Switchgear OEM's in South Africa, switchgear repair companies, electrical distributors and directly to end users. Export forms a significant portion of the turnover of the business and sales take place to international OEM's, agents and other customers in Australia, Germany, Indonesia, Malaysia, New Zealand, Pakistan and Singapore.

### CURRENT TRANSFORMERS TO INCLUDE INDOOR AND OUTDOOR TO 33KV

Our expansion and reputation has been greatly improved by our ability to design and manufacture for special applications.

Our ISO 9000 listing was achieved in 1998 furthering our commitment to quality and growth.

Our VT range is highly successful and expanding rapidly. The fully automatic winding machines ensure the highest possible coil quality.

Our product range consists of the following:

- Split Core and Clamp-on CT's
- Interposing CT s
- Summation CT's
- Bar Primary CT's up to 33kV
- Resin Cast Ring CT's for Protection and Metering.
- Medium Voltage Bushing CT's
- Taped CT's for Oil and Air
- Resin Cast Block CT's up to 33kV
- Outdoor Neutral CT's up to 33kV
- Precision CT's for Test Equipment
- Indoor VT's up to 22kV
- Screened CT's up to 22kV & Screened VT's up to 11kV

We manufacture a vast range of non-standard CT's to customer specifications. (For further enquiries contact our sales office.)

## BLOCK TYPE CURRENT TRANSFORMERS

1. Can be used as busbar support.
2. Close dimensional tolerances.
3. Type tested for Short Time Current as generally mounted in service (certificates available).
4. Transformers with up to 12 primary turns have been short time current tested (certificates available).
5. Impulse type tests (certificates available).
6. Cast in resin under controlled conditions.
7. Full potential screening to improve stress geometry.
8. Routine discharge tests guaranteeing less than 5pc.
9. High tracking resistance.
10. Low moisture absorption.
11. Flame retardant.
12. No toxic gases during combustion.
13. Manufactured to strict quality control procedures.
14. Full routine test certificates supplied with each unit.
15. Five year guarantee.
16. Capacitive voltage output available.
17. Track record with several multi-national companies.

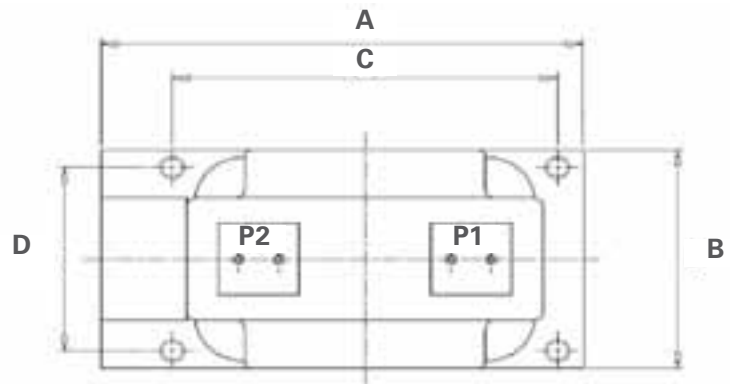
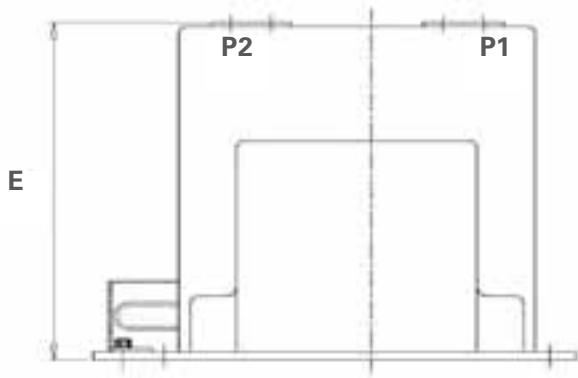


## INDOOR MEDIUM VOLTAGE BLOCK TYPE CURRENT TRANSFORMERS

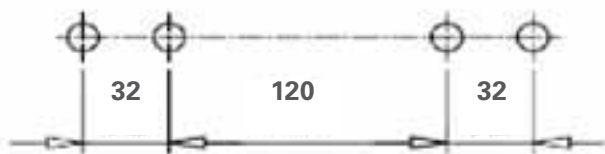


### Technical Data

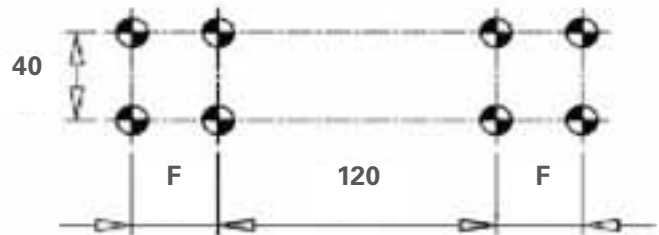
| Technical Data                                     |   |         |         |   |         |      |       |       |          |
|--|---|---------|---------|---|---------|------|-------|-------|----------|
| Resin Encapsulated Block Type CT                   |   |         |         |   |         |      |       |       |          |
| Type   | A62   | A62W    | A62CB   | A64   | A65     | A66  | A68   | A70   | A62ES    |
| Designed to spec                                   | IEC 60044-1   |         |         | AS 60044-1 (OTHER STANDARDS AVAILABLE ON REQUEST) |         |      |       |       |          |
| Operating Voltage (Um)                             | Upto 17.5kV   |         |         | 24kV  | 36kV    |      | 36kV  | 36kV  | 12/24kV  |
| Rated power frequency withstand voltage (1 Minute) | 38kV  |         |         | 50kV  | 70kV    |      | 70kV  | 70kV  | 38/50kV  |
| Rated impulse test voltage                         | 95kV  |         |         | 125kV   | 170kV   |      | 200kV | 200kV | 95/125kV |
| Rated primary Current                              | <= 3000A  | <=3200A | <=2500A | <=3200A   | <=2500A |      | 630A  |       |          |
| Rated frequency                                    | 50-60Hz   |         |         |   |         |      |       |       |          |
| ShortTime Current rating                           | Upto 50KA   |         |         | I Dyn = 2.5 X Ith                                 |         |      |       |       | 25KA     |
| Rated secondary Current                            | 1A and 5A   |         |         |   |         |      |       |       |          |
| Maximum no of cores                                | Must be determined on the basis of the specific requirements (Accuracy class,burden, ALF) |         |         |   |         |      |       |       |          |
| Rated output (VA)                                  | <5,10,15,30VA (Other burdens available on request)  |         |         |   |         |      |       |       |          |
| Rated accuracy class                               | 0.1,0.2,0.5,1,3,5,5P,10P,PX(X AND TPS)  |         |         |   |         |      |       |       |          |
| Secondary terminals                                | On P2 side (standard)   |         |         |   |         |      |       |       |          |
|  | On P1 side on request   |         |         |   |         |      |       |       |          |
|  | 6mm Brass stud  |         |         |   |         |      |       |       |          |
| Capacitive voltage output                          | From 6.6-17.5kV   |         |         | YES   |         | YES  |       | YES   |          |
| Weight(approx.)                                    | 15Kg  | 20kg    | 25kg    | 20kg  | 25kg    | 25kg | 30kg  | 40kg  | 23kg     |
| Drawing  | 1015  | 2382    | 1052    | 1086  | 1095    | 1096 | 1104  | 1051  | 2433     |



< 1250A



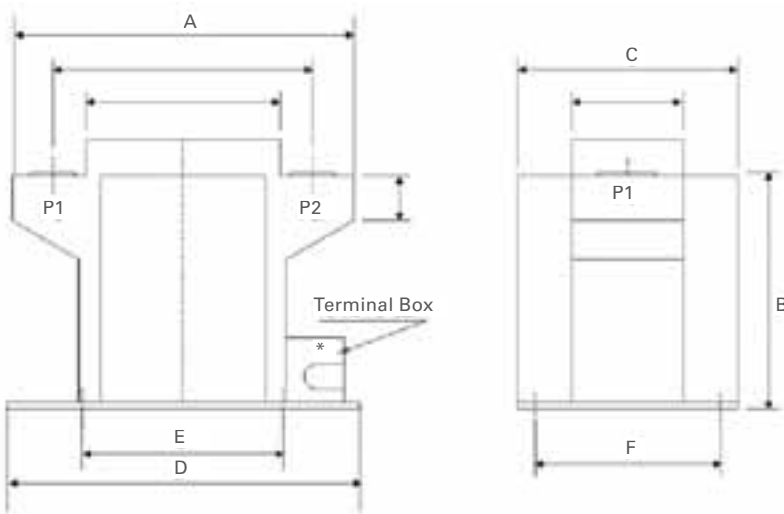
> 1250 - 3200A



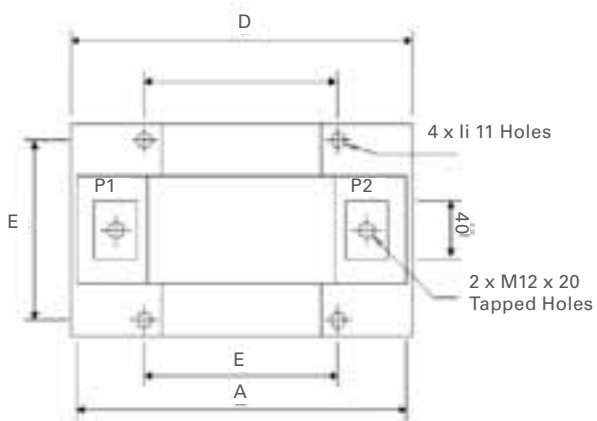
## Technical Data

| Technical Data  | Dimensions |      |       |      |      |      |      |      |       |
|---|------------|------|-------|------|------|------|------|------|-------|
| Type  | A62        | A62W | A62CB | A64  | A65  | A66  | A68  | A70  | A62ES |
| Drawing number  | 1015       | 2382 | 1052  | 1086 | 1095 | 1095 | 1096 | 1098 | 2433  |
| A   | 340        | 340  | 405   | 363  | 400  | 363  | 400  | 475  | 340   |
| B   | 148        | 168  | 178   | 178  | 218  | 178  | 218  | 240  | 148   |
| C   | 270        | 270  | 270   | 280  | 264  | 280  | 264  | 430  | 270   |
| D   | 125        | 125  | 125   | 148  | 180  | 148  | 180  | 204  | 125   |
| E   | 220        | 220  | 220   | 280  | 280  | 370  | 370  | 380  | 379   |
| F   | 24 or 32mm |      |       |      |      |      |      |      |       |
| A62ES can be used with screened connectors (contact Current Electric for details) |            |      |       |      |      |      |      |      |       |

| Type           | BIL |    |      | Hz    | DWG No. | Dimensions (mm) |     |     |     |     |     | Terminal Arrangement |
|----------------|-----|----|------|-------|---------|-----------------|-----|-----|-----|-----|-----|----------------------|
|                | kV  | kV | kV   |       |         | A               | B   | C   | D   | E   | F   |                      |
| A61            | 18  | 38 | 95   | 50-60 | 1039    | 230             | 160 | 148 | 338 | 135 | 125 | 1                    |
| Drawing number |     |    | 1039 |       |         |                 |     |     |     |     |     |                      |



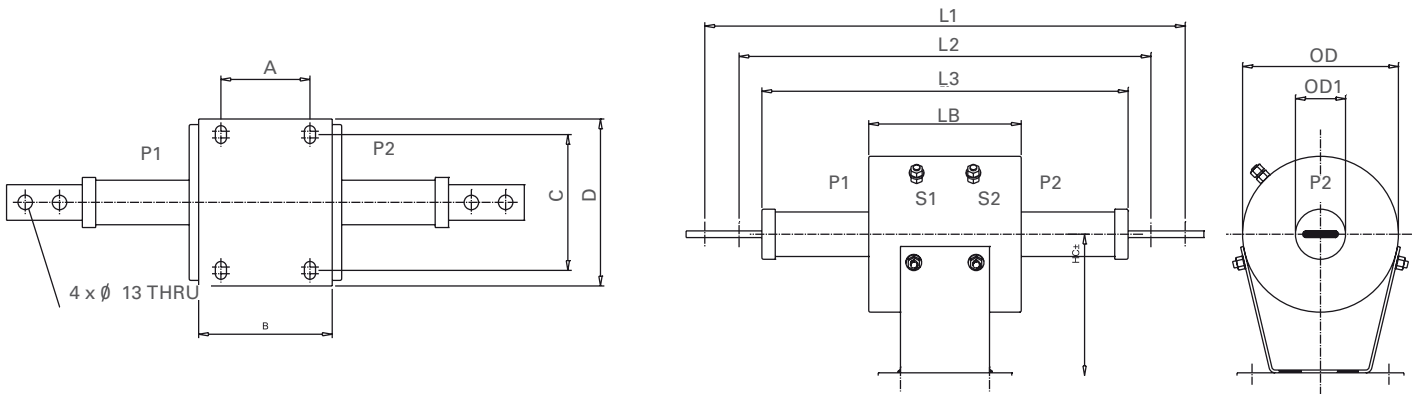
### Primary Terminal Arrangements



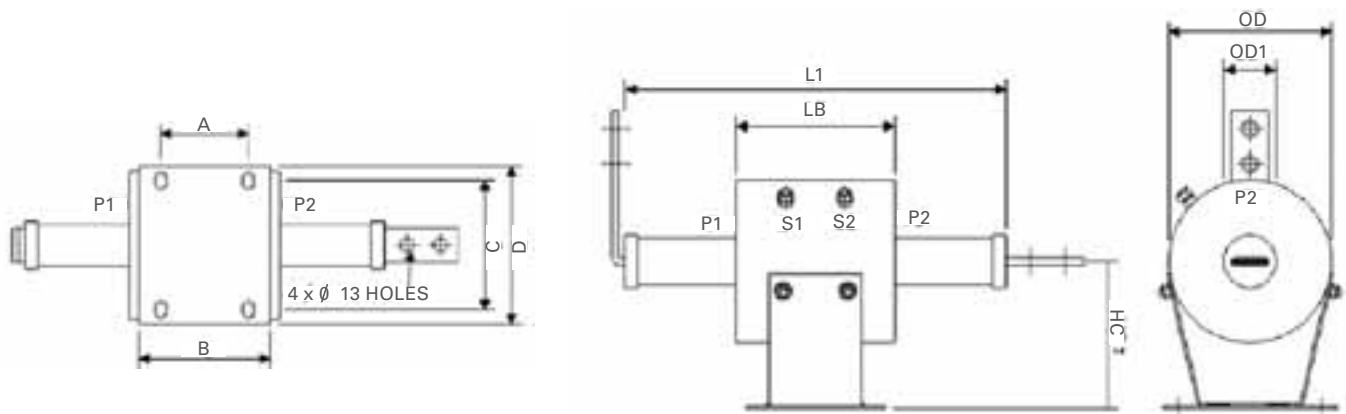
# INDOOR MEDIUM VOLTAGE BAR PRIMARY TYPE CURRENT TRANSFORMERS



## Resin Cast Bar Primary Current Transformer DWG. No: 1033



## Resin Cast Bar Primary Current Transformer DWG. No: 1031

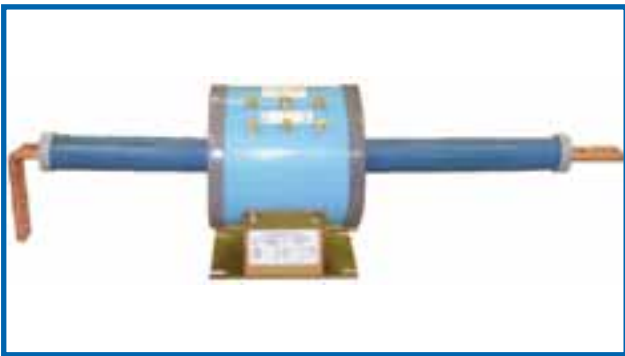


These CT's can easily be modified to suit their applications. For further enquiries contact our sales office.

**Technical Data**

**Resin Encapsulated Bar Primary (Ring, Bar and Base)**

| Type   | CE STANDARD BAR PRIMARY  | TO FIT VARIOUS MANUFACTURERS SWITCHBOARDS         |           |
|--|--|---|-----------|
| Designed to spec                                   | IEC 60044-1  | AS 60044-1 (OTHER STANDARDS AVAILABLE ON REQUEST) |           |
| Operating Voltage (Um)                             | 3.3kV  | 6.6-7.2kV   | 11-17.5kV |
| Rated power frequency withstand voltage (1 Minute) | 10kV   | 20kV  | 28-38kV   |
| Rated impulse test voltage                         | 45kV   | 75kV  | 95kV      |
| Rated frequency                                    | 50-60Hz  |   |           |
| ShortTime Current rating                           | Upto 50KA I Dyn = 2.5 X Ith  |   |           |
| Rated primary Current                              | <= 3000A   |   |           |
| Rated secondary Current                            | 1A and 5A  |   |           |
| Maximum no of cores                                | Must be determined on the basis of the specific requirements (Accuracy class, burden, ALF) |   |           |
| Rated output (VA)                                  | <5,10,15,30VA (Other burdens available on request)   |   |           |
| Rated accuracy class                               | 0.1,0.2,0.5,1,3,5,5P,10P,PP(X,TPS)   |   |           |
| Secondary terminals                                | 6mm Brass stud   |   |           |
| Drawing  | Contact Current Electric for dimensions  |   |           |



SIEMENS(MARQOTT)



ABB (REYROLLE)-LMR\LMT\LMS\UNIFLEX\UNIGEAR



ACTOM(GEC\ALSTOM)-AG16\SBV2,3,4,5\ AGVB\LGVB



RELAY SETTINGS



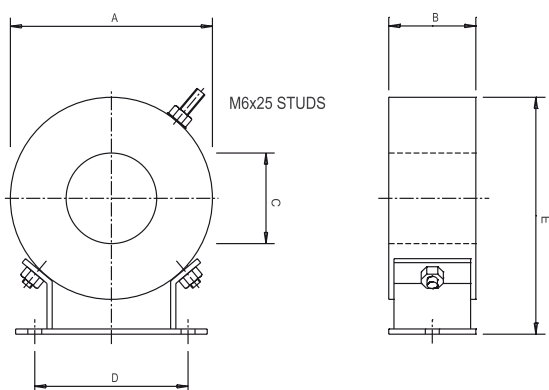
## RESIN CAST RING CURRENT TRANSFORMERS



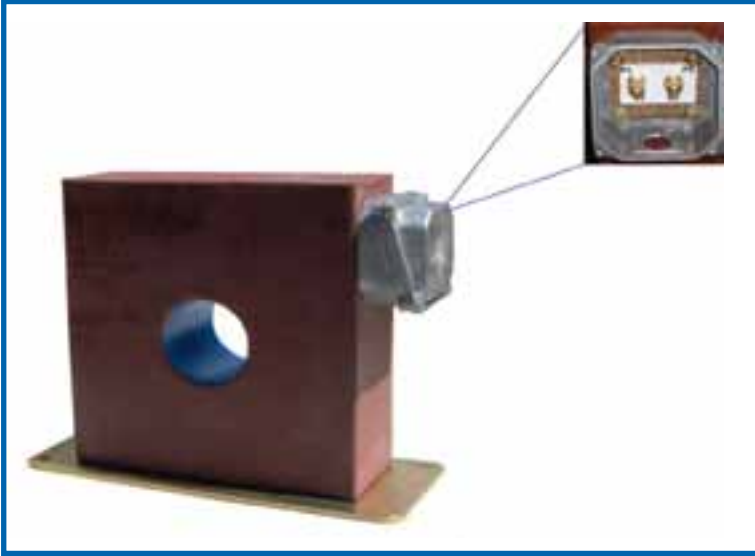
| RATIO  | VA  | CLASS | ID  | OD  | W± | H±  |
|--------|-----|-------|-----|-----|----|-----|
| 50/5   | 7.5 | 3     | 37  | 125 | 65 | 145 |
| 60/5   | 7.5 | 3     | 37  | 125 | 65 | 145 |
| 75/5   | 7.5 | 3     | 37  | 125 | 65 | 145 |
| 100/5  | 7.5 | 1     | 37  | 125 | 65 | 145 |
| 125/5  | 10  | 1     | 37  | 125 | 65 | 145 |
| 150/5  | 10  | 1     | 37  | 125 | 65 | 130 |
| 200/5  | 15  | 1     | 37  | 110 | 65 | 130 |
| 250/5  | 15  | 1     | 37  | 110 | 55 | 130 |
| 300/5  | 15  | 1     | 37  | 110 | 55 | 130 |
| 400/5  | 15  | 1     | 71  | 110 | 55 | 130 |
| 500/5  | 15  | 1     | 71  | 110 | 55 | 130 |
| 600/5  | 15  | 1     | 71  | 110 | 55 | 130 |
| 750/5  | 15  | 1     | 71  | 110 | 55 | 130 |
| 800/5  | 15  | 0.5   | 71  | 110 | 45 | 130 |
| 900/5  | 15  | 0.5   | 71  | 110 | 45 | 130 |
| 1000/5 | 15  | 0.5   | 71  | 110 | 45 | 130 |
| 1200/5 | 15  | 0.2   | 104 | 160 | 45 | 180 |
| 1500/5 | 15  | 0.2   | 104 | 160 | 45 | 180 |
| 2000/5 | 15  | 0.2   | 104 | 160 | 45 | 180 |

| RATIO  | VA  | CLASS | ID  | OD  | W±  | H±  |
|--------|-----|-------|-----|-----|-----|-----|
| 50/5   | 7.5 | 10PI0 | 37  | 140 | 200 | 145 |
| 60/5   | 7.5 | 10PI0 | 37  | 140 | 180 | 145 |
| 75/5   | 7.5 | 10P10 | 37  | 140 | 150 | 145 |
| 100/5  | 7.5 | 10PI0 | 37  | 140 | 110 | 145 |
| 125/5  | 10  | 10PI0 | 37  | 140 | 100 | 145 |
| 150/5  | 10  | 10PI0 | 37  | 125 | 120 | 130 |
| 200/5  | 15  | 10PI0 | 37  | 125 | 100 | 130 |
| 250/5  | 15  | 10PI0 | 37  | 125 | 85  | 130 |
| 300/5  | 15  | 10PI0 | 37  | 125 | 85  | 130 |
| 400/5  | 15  | 10PI0 | 71  | 160 | 70  | 130 |
| 500/5  | 15  | 10PI0 | 71  | 160 | 60  | 130 |
| 600/5  | 15  | 10P10 | 71  | 140 | 60  | 130 |
| 750/5  | 15  | 10PI0 | 71  | 140 | 60  | 130 |
| 800/5  | 15  | 10PI0 | 71  | 140 | 60  | 130 |
| 900/5  | 15  | 10PI0 | 71  | 140 | 60  | 130 |
| 1000/5 | 15  | 10P10 | 71  | 140 | 60  | 130 |
| 1200/5 | 15  | 10PI0 | 104 | 160 | 60  | 180 |
| 1500/5 | 15  | 10P10 | 104 | 160 | SO  | 180 |
| 2000/5 | 15  | 10P10 | 104 | 160 | 50  | 180 |

### Resin Cast Ring Type Current Transformer DWG No: 1012



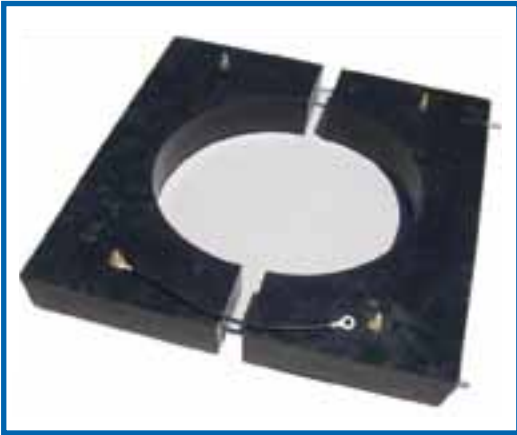
## OUTDOOR CURRENT TRANSFORMER



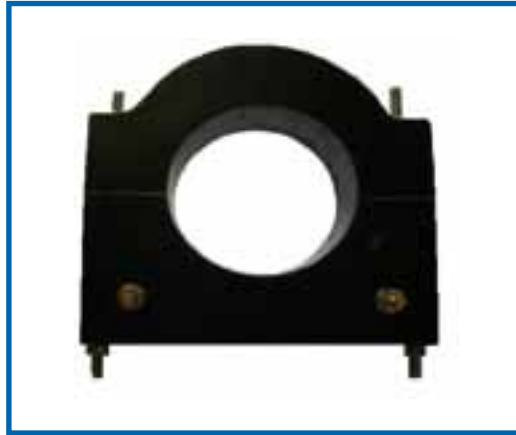
### Technical Data

| Type: Outdoor Ring CT  |   |
|--|---|
| Designed to spec   | IEC 60044-1                                   |
| IP Code  | IP 65   |
| Operating Voltage (Um)*  | 0.66-1000V                                    |
| Rated power frequency withstand voltage (1 Minute)             | 3kV   |
| Rated frequency  | 50-60Hz                                       |
| Rated primary Current  | 2500A   |
| Rated secondary Current  | 1A and 5A                                     |
| Maximum no of cores  | 1 (more on request)                           |
| Rated output (VA)  | <5,10,15,30VA (other available)               |
| Rated accuracy class   | 0.2,0.5,1,3,5,5P,10P and PX (other available) |
| Secondary terminals  | 6mm Brass stud                                |
| Capacitive voltage output                                      | Not available                                 |
| Terminal box   | Yes   |
| Weight(approx.)  | 15kg  |
| Drawing  | 2206/2207 and 2525                            |
| <b>DIMENSIONS:</b>   |   |
| Inner diameter   | 36,47,57,71,104,118,134                       |
| Outer dimension  | 200 X 200mm and 250 X 250mm                   |
| * Can be used at higher Um if primary is adequately insulated. |   |

## INDOOR CURRENT TRANSFORMERS



DWG 1247



DWG 1094

### Technical Data

| Type:   Split Ring CT  |                                 |
|--|---------------------------------|
| Designed to spec   | IEC 60044-1                     |
| Operating Voltage (Um)*  | 0.66kV                          |
| Rated power frequency withstand voltage (1 Minute)             | 3kV                             |
| Rated impulse test voltage                                     | N/A                             |
| Rated frequency  | 50-60Hz                         |
| Short Time Current rating                                      | N/A                             |
| Rated primary Current  | <= 3200A                        |
| Rated secondary Current  | 1A and 5A                       |
| Maximum no of cores  | 1                               |
| Rated output (VA)  | <5,10,15,30VA (other available) |
| Rated accuracy class   | 1,3,5,5P,10P (other available)  |
| Secondary terminals  | 6mm Brass stud                  |
| Capacitive voltage output                                      | Not available                   |
| Weight(approx.)  | 15Kg                            |
| Drawing  | 1247 or 1094                    |
| * Can be used at higher Um if primary is adequately insulated. |                                 |

## BLOCK TYPE VOLTAGE TRANSFORMERS



3 Phase 5 Limb



3 Phase 3 Limb



Phase to Phase Outdoor



3 Phase 5 Limb



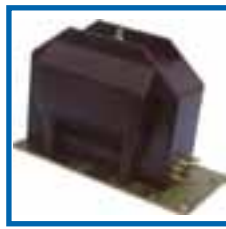
3 Phase 3 Limb



Phase to Phase



Phase to Ground VT 11 kV



Phase to Ground VT 24kV



Phase to Ground VT 24kV



Phase to Ground VT 11 kV



Phase to Ground VT 11 kV

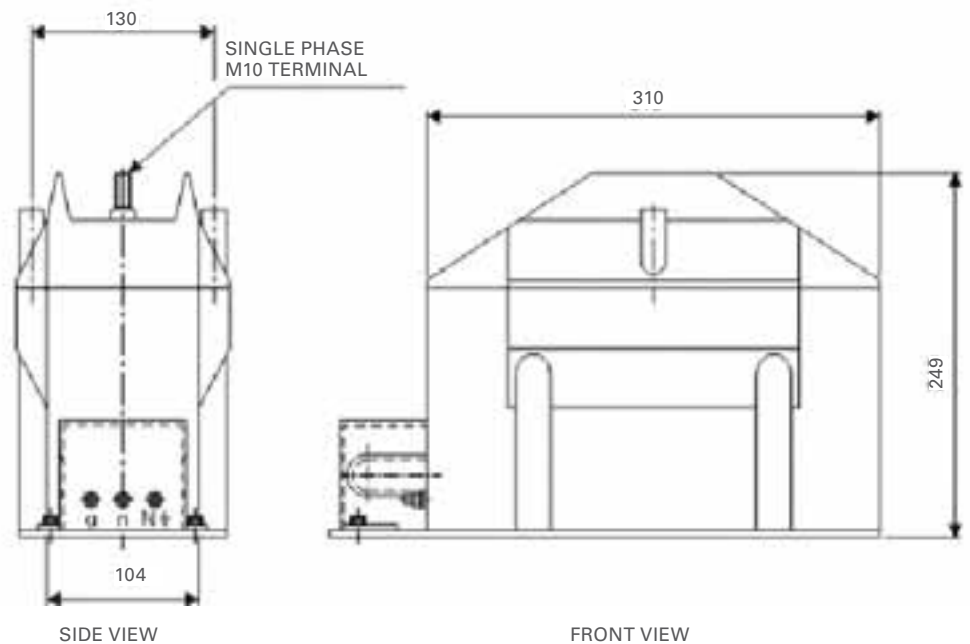


Screened VT

## EPOXY VOLTAGE TRANSFORMERS

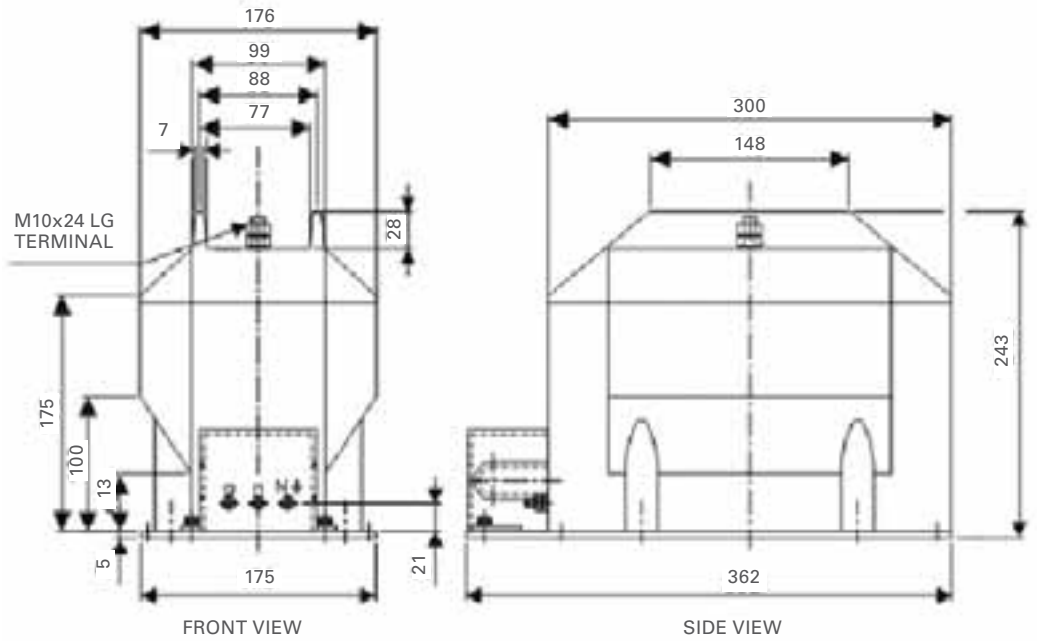
1. Cast in epoxy resin under vacuum.
2. Full potential screening to improve stress geometry.
3. High tracking resistance.
4. Low moisture absorption.
5. Flame retardant.
6. No toxic gases during combustion.
7. Impulse type tests (certificates available).
8. Routine discharge test guaranteeing less than 5pc.
9. Close dimensional tolerances.
10. Full routine test certificates supplied with each unit.
11. Five year guarantee.
12. Available fused and unfused.

## Indoor Voltage Transformers



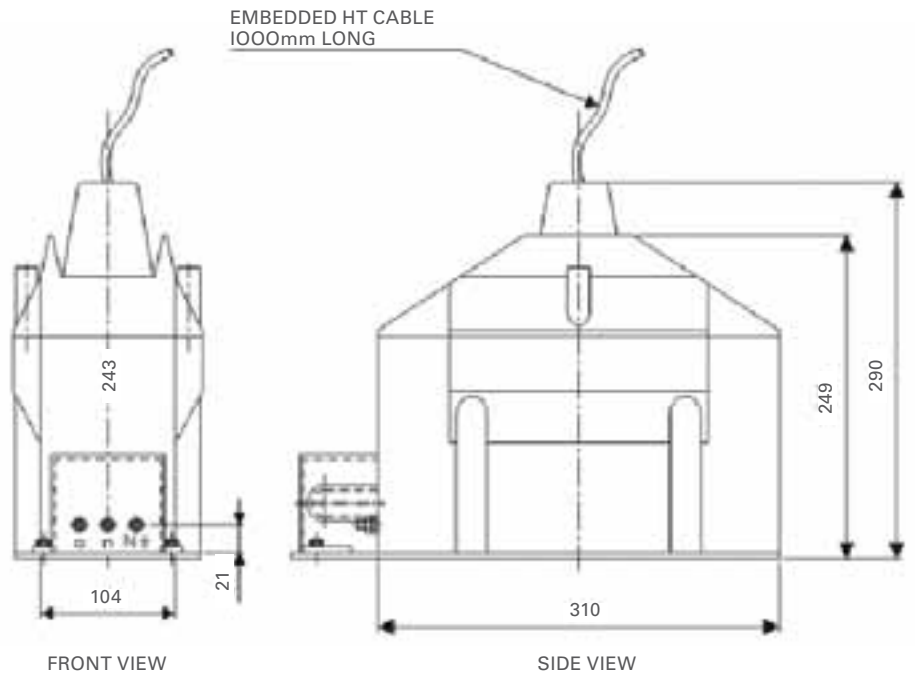
## Technical Data

| Type:- Resin Encapsulated Single Phase - Unfused (Phase to Ground VT) |   |                  |                 |                 |  |
|---|---|------------------|-----------------|-----------------|--|
| Operating voltage (maximum)   |   | 7.2kV            | 12kV            | 1SkV            |  |
| Rated power - frequency withstand voltage (1 Minute)                  |   | 20kV             | 28kV            | 38kV            |  |
| Rated Impulse test voltage  |   | 75kV             | 95kV            | 95kV            |  |
| Rated frequency   | 50Hz, 60Hz                                    |                  |                 |                 |  |
| Rated primary voltage   |   | $6.6\sqrt{3}$ kV | $11\sqrt{3}$ kV | $1S\sqrt{3}$ kV |  |
| Secondary voltage   | $100\sqrt{3}$ , $110\sqrt{3}$ , $120\sqrt{3}$ |                  |                 |                 |  |
| Rated burden and class  | 0.2   | 10 - 40VA        |                 |                 |  |
|   | 0.5   | 50 - 100VA       |                 |                 |  |
|   | 1   | 100 - 200VA      |                 |                 |  |
| Rated voltage factor  | 1.9   |                  |                 |                 |  |
| Rated thermal limit   | 400VA/4A                                      |                  |                 |                 |  |
| Rated burden for protection and class                                 | 3P  | 60VA             |                 |                 |  |
| Insulation class  | E   |                  |                 |                 |  |
| Ambient temperature   | -5 to 40°C                                    |                  |                 |                 |  |
| Altitude  | 1000m   |                  |                 |                 |  |
| Standard  | IEC 60044-2                                   |                  |                 |                 |  |
| Weight (approx.)  | 23kg  |                  |                 |                 |  |
| Drawing number  | 1133 / 2278 / 2213 / 2337                     |                  |                 |                 |  |



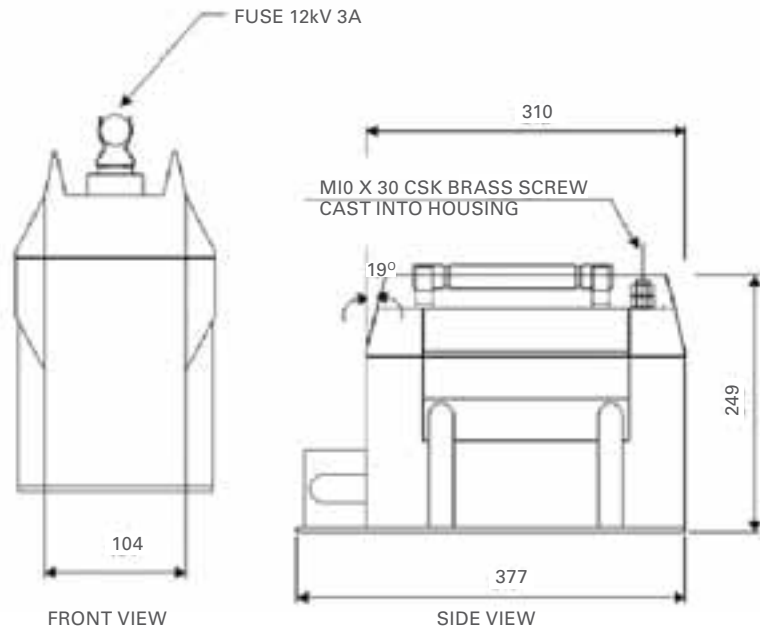
## Technical Data

| Type:- Resin Encapsulated Single Phase - 24kV (Phase to Ground VT) |  |                    |                  |                   |  |
|--|--|--------------------|------------------|-------------------|--|
| Operating voltage (maximum)  |  | 17.5kV             | 20kV             | 24kV              |  |
| Rated power - frequency withstand voltage (1 Minute)               |  | 38kV               | 50kV             | 50kV              |  |
| Rated Impulse test voltage   |  | 95kV               | 125kV            | 125kV             |  |
| Rated frequency  | 50Hz, 60Hz                                     |                    |                  |                   |  |
| Rated primary voltage  |  | $17.5/\sqrt{3}$ kV | $20/\sqrt{3}$ kV | $221/\sqrt{3}$ kV |  |
| Secondary voltage  | $100\sqrt{3}$ , $110\sqrt{3}$ , $1201\sqrt{3}$ |                    |                  |                   |  |
| Rated burden and class   | 0.2  | 15 - 40VA          |                  |                   |  |
|  | 0.5  | 50 - 100VA         |                  |                   |  |
|  | 1  | 100 - 200VA        |                  |                   |  |
| Rated voltage factor   | 1.9  |                    |                  |                   |  |
| Rated thermal limit  | 400VA/4A                                       |                    |                  |                   |  |
| Rated burden for protection and class                              | 3P   | 60VA               |                  |                   |  |
| Insulation class   | E  |                    |                  |                   |  |
| Ambient temperature  | -5 to 40°C                                     |                    |                  |                   |  |
| Altitude   | 1000m  |                    |                  |                   |  |
| Standard   | IEC 60044-2                                    |                    |                  |                   |  |
| Weight (approx.)   | 24kg   |                    |                  |                   |  |
| Drawing number   | 1238 / 2315 / 2281 / 2316                      |                    |                  |                   |  |



## Technical Data

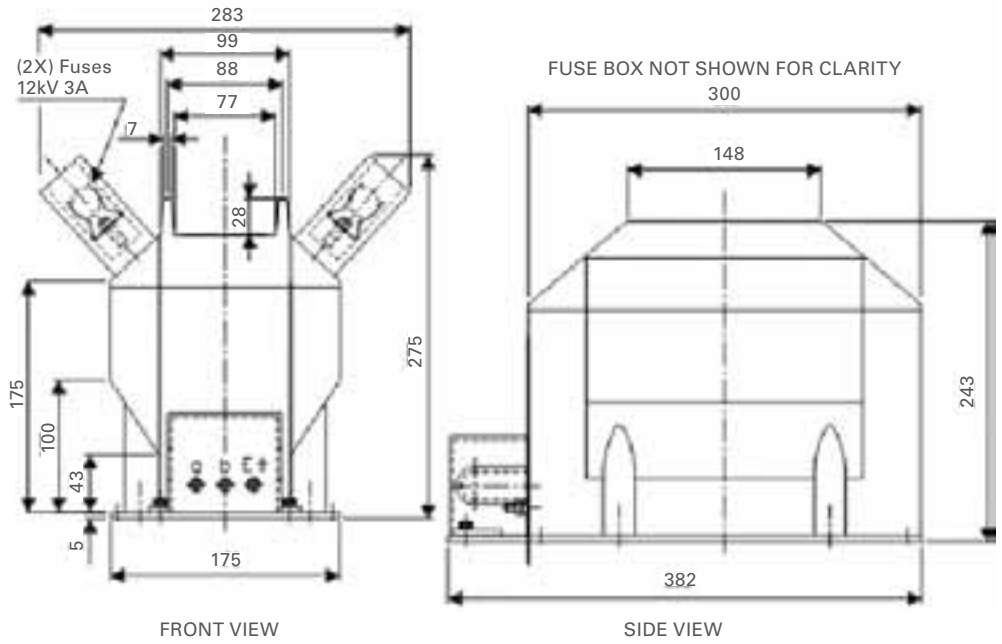
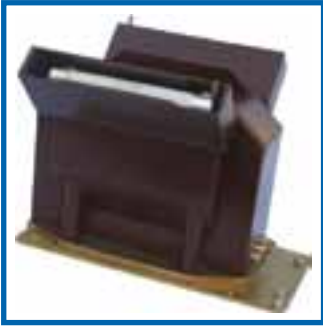
| Type:- Resin Encapsulated Single Phase - Unfused (With cup and HTTail) Phase to Phase |   |                  |                  |                 |                   |
|---|---|------------------|------------------|-----------------|-------------------|
| Operating voltage (maximum)   |   | 3.6kV            | 6.6kV            | 12kV            | 17.5kV            |
| Rated power - frequency withstand voltage (1 Minute)                                  |   | 16kV             | 20kV             | 28kV            | 38kV              |
| Rated Impulse test voltage  |   | 45kV             | 75kV             | 95kV            | 95kV              |
| Rated frequency   | 50Hz, 60Hz                                    |                  |                  |                 |                   |
| Rated primary voltage   |   | $3.3\sqrt{3}$ kV | $6.6\sqrt{3}$ kV | $11\sqrt{3}$ kV | $17.5\sqrt{3}$ kV |
| Secondary voltage   | $100\sqrt{3}$ , $110\sqrt{3}$ , $120\sqrt{3}$ |                  |                  |                 |                   |
| Rated burden and class  | 0.2   | 10 - 40VA        |                  |                 |                   |
|   | 0.5   | 50 - 100VA       |                  |                 |                   |
|   | 1   | 100 - 200VA      |                  |                 |                   |
| Rated voltage factor  | 1.9   |                  |                  |                 |                   |
| Rated thermal limit   | 400VA/4A                                      |                  |                  |                 |                   |
| Rated burden for protection and class   | 3P  | 60VA             |                  |                 |                   |
| Insulation class  | E   |                  |                  |                 |                   |
| Ambient temperature   | -5 to 40°C                                    |                  |                  |                 |                   |
| Altitude  | 1000m   |                  |                  |                 |                   |
| Standard  | IEC 60044-2                                   |                  |                  |                 |                   |
| Weight (approx.)  | 24kg  |                  |                  |                 |                   |
| Drawing number  | 2265 / 2268 / 2338 / 2339                     |                  |                  |                 |                   |



## Technical Data

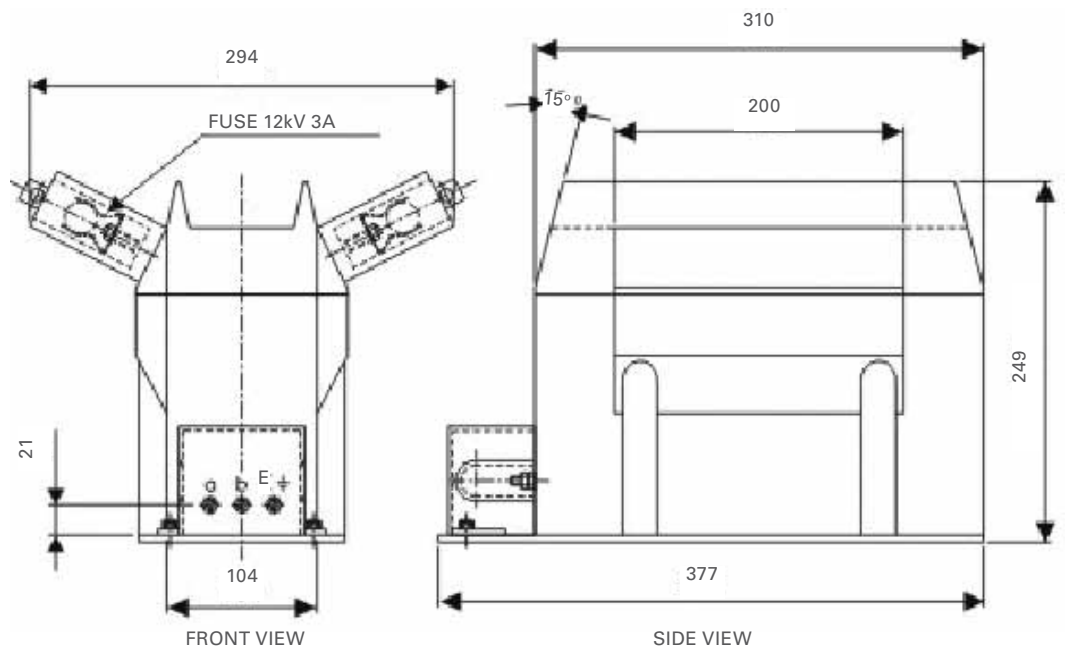
| Type:- Resin Encapsulated Single Phase - Fused (Phase to Ground VT) |   |                  |                 |                 |
|---|---|------------------|-----------------|-----------------|
| Operating voltage (maximum)   |   | 7.2kV            | 12kV            | 15kV            |
| Rated power - frequency withstand voltage (1 Minute)                |   | 20kV             | 28kV            | 38kV            |
| Rated Impulse test voltage  |   | 75kV             | 95kV            | 95kV            |
| Rated frequency   | 50Hz,60Hz                                     |                  |                 |                 |
| Rated primary voltage   |   | $6.6\sqrt{3}$ kV | $11\sqrt{3}$ kV | $15\sqrt{3}$ kV |
| Secondary voltage   | $100\sqrt{3}$ , $110\sqrt{3}$ , $120\sqrt{3}$ |                  |                 |                 |
| Rated burden and class  | 0.2   | 10 - 40VA        |                 |                 |
|   | 0.5   | 50 - 100VA       |                 |                 |
|   | 1   | 100 - 200VA      |                 |                 |
| Rated voltage factor  | 1.9   |                  |                 |                 |
| Rated thermal limit   | 400VA/4A                                      |                  |                 |                 |
| Rated burden for protection and class                               | 3P  | 60VA             |                 |                 |
| Insulation class  | E   |                  |                 |                 |
| Ambient temperature   | -5 to 40°C                                    |                  |                 |                 |
| Altitude  | 1000m   |                  |                 |                 |
| Standard  | IEC 60044-2                                   |                  |                 |                 |
| Weight (approx.)  | 24kg  |                  |                 |                 |
| Drawing number  | 2314 / 2312 / 2310 / 2305                     |                  |                 |                 |





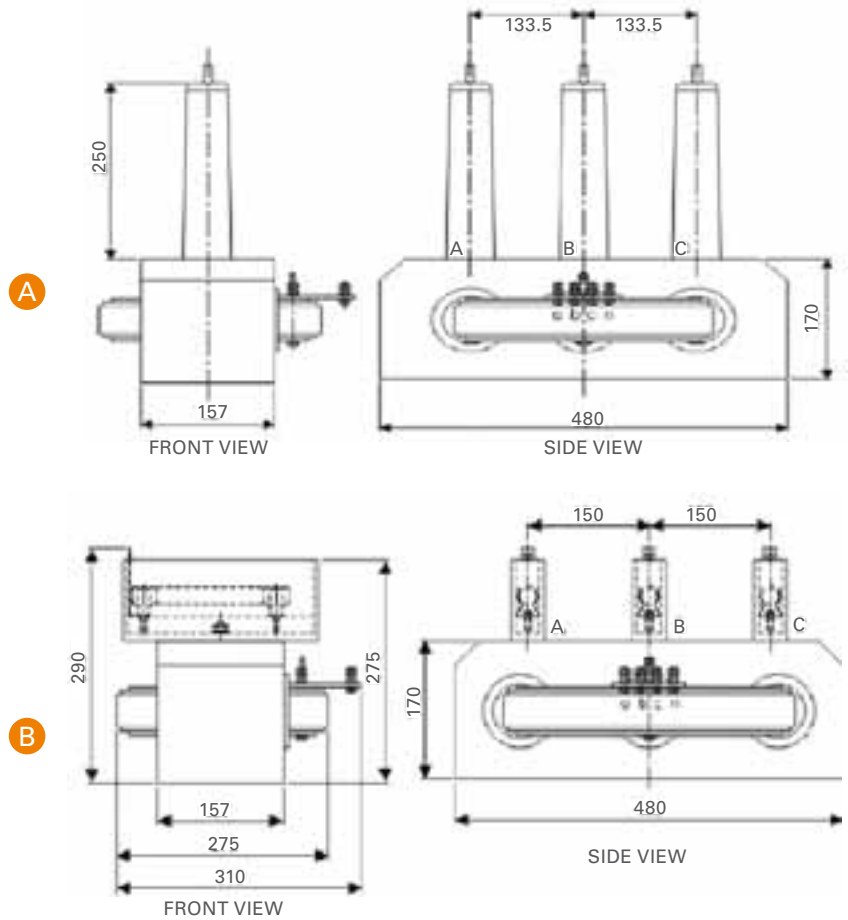
## Technical Data

| Type:- Resin Encapsulated Line to Line (Single Phase VT) |             |           |      |  |
|--|-------------|-----------|------|--|
| Operating voltage (maximum)                              |             | 7.2kV     | 12kV |  |
| Rated power - frequency withstand voltage (1minute)      |             | 20kV      | 38kV |  |
| Rated Impulse test voltage                               |             | 75kV      | 95kV |  |
| Rated frequency  | 50Hz,60Hz   |           |      |  |
| Rated primary voltage                                    |             | 6.6kV     | 11kV |  |
| Secondary voltage  | 100,110,120 |           |      |  |
| Rated burden and class                                   | 0.2         | 15-40VA   |      |  |
|  | 0.5         | 50 -100VA |      |  |
|  | 1           | 100-100VA |      |  |
| Rated voltage factor                                     | 1.2         |           |      |  |
| Rated thermal limit                                      | 400VA/4A    |           |      |  |
| Insulation class   | E           |           |      |  |
| Ambient temperature                                      | -5 to 40°C  |           |      |  |
| Altitude   | 1000m       |           |      |  |
| Standard   | IEC 60044-2 |           |      |  |
| Weight (approx.)   | 25kg        |           |      |  |
| Drawing number   | 1240        |           |      |  |



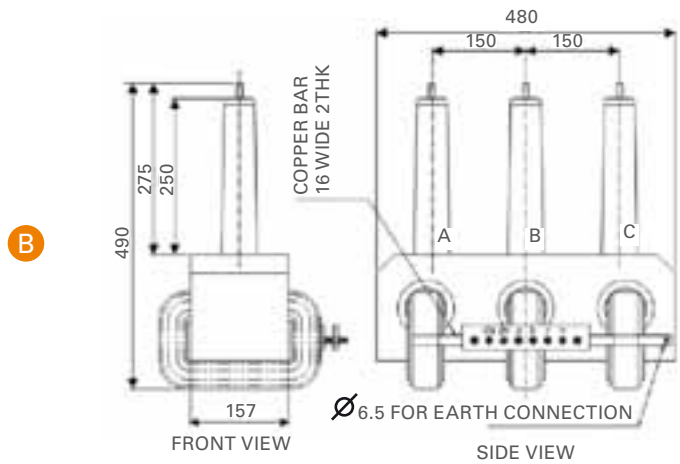
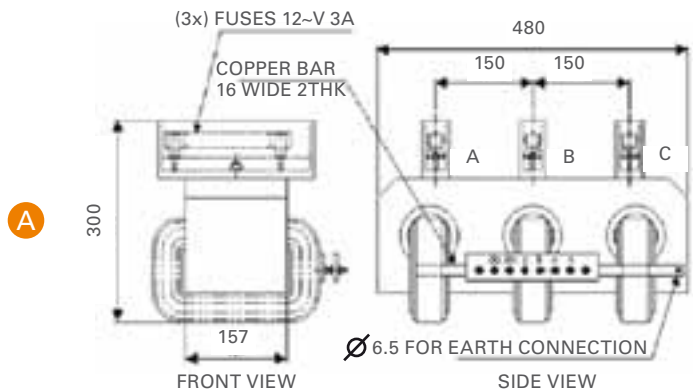
## Technical Data

| Type:- Resin Encapsulated Single Phase (Phase to Phase VT) Fused |             |                       |  |
|--|-------------|-----------------------|--|
| Operating voltage (maximum)                                      |             | 3,6kV                 |  |
| Rated power - frequency withstand voltage (1 Minute)             |             | 16kV                  |  |
| Rated Impulse test voltage                                       |             | 45kV                  |  |
| Rated frequency  | 50Hz,60Hz   |                       |  |
| Rated primary voltage  |             | 3,3kV                 |  |
| Secondary voltage  | 100,110,120 |                       |  |
| Rated burden and class   | 0.2         | 10-40VA               |  |
|  | 0.5         | 50 -100VA             |  |
|  | 1           | 100 - 200VA and 400VA |  |
| Rated voltage factor   | 1.2         |                       |  |
| Rated thermal limit  | 400VA/4A    |                       |  |
| Insulation class   | E           |                       |  |
| Ambient temperature  | -5 to 40°C  |                       |  |
| Altitude   | 1000m       |                       |  |
| Standard   | IEC 60044-2 |                       |  |
| Weight (approx.)   | 24kg        |                       |  |
| Drawing number   | 1242        |                       |  |



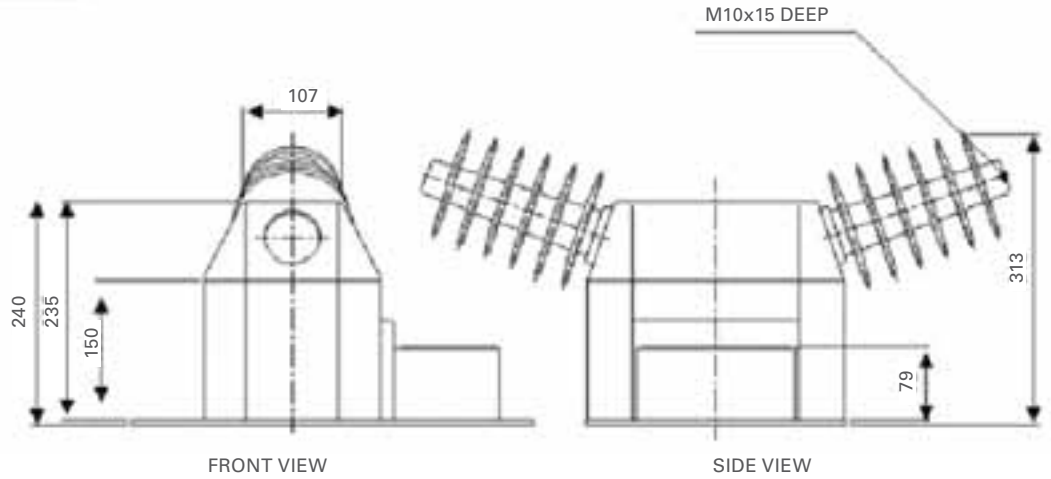
## Technical Data

| Type:- Resin Encapsulated Three Phase - Fused (Core and winding only) ( HV Star Point Earthed) |   |                             |                  |                   |
|--|---|-----------------------------|------------------|-------------------|
| Operating voltage (maximum)  |   | 3.3kV                       | 7.2kV            | 12kV              |
| Rated power - frequency withstand voltage (1 Minute)   |   | 16kV                        | 20kV             | 28kV              |
| Rated Impulse test voltage   |   | 45kV                        | 75kV             | 95kV              |
| Rated frequency  | 50Hz, 60Hz                                    |                             |                  |                   |
| Rated primary voltage (Star Point Connection Ins.)   |   | $3.3\sqrt{3}$ kV            | $6.6\sqrt{3}$ kV | $11\sqrt{3}$ kV   |
| Secondary voltage (Star Point Connection)  | $100\sqrt{3}$ , $110\sqrt{3}$ , $120\sqrt{3}$ |                             |                  |                   |
| Rated burden and class   | 0.2   | 10-40VA                     |                  |                   |
|  | 0.5   | 50 -100VA                   |                  |                   |
|  | 1   | 100-200VA                   |                  |                   |
| Rated burden and class   | 3   | 400VA for 3.3 kV and 6.6 kV |                  | 1 400VA for 11 kV |
| Rated voltage factor   | 1.5   |                             |                  |                   |
| Rated thermal limit  | 400VA/4A                                      |                             |                  |                   |
| Insulation class   | E   |                             |                  |                   |
| Ambient temperature  | -5 to 40°C                                    |                             |                  |                   |
| Altitude   | 1000m   |                             |                  |                   |
| Standard   | IEC 60044-2                                   |                             |                  |                   |
| Weight (approx.)   | 46kg  |                             |                  |                   |
| Phases   Limb  | 3 Phase / 3 Limb                              |                             |                  |                   |
| Drawing number   | A) - 1191                                     |                             | B) - 1210        |                   |



### Technical Data

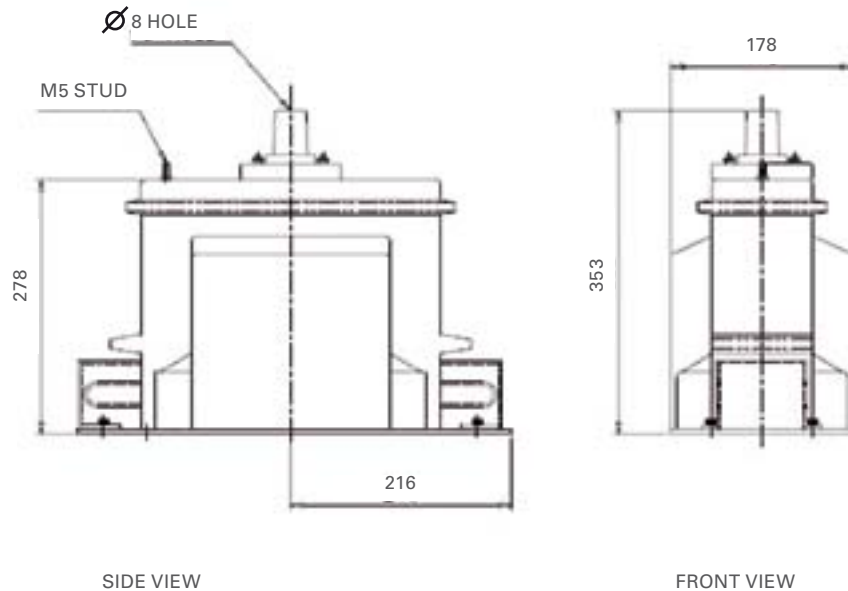
| Type:- Resin Encapsulated Three Phase - Fused (Core and winding only) ( HV Star Point Earthed) |  |                   |                    |                   |
|--|--|-------------------|--------------------|-------------------|
| Operating voltage (maximum)  |  | 3.6kV             | 7.2kV              | 12kV              |
| Rated power - frequency withstand voltage (1 Minute)   |  | 16kV              | 20kV               | 28kV              |
| Rated Impulse test voltage   |  | 45kV              | 75kV               | 95kV              |
| Rated frequency  | 50 Hz, 60Hz                                      |                   |                    |                   |
| Rated primary voltage (Star Connected)   |  | $3,3/\sqrt{3}$ kV | $6.61/\sqrt{3}$ kV | $111/\sqrt{3}$ kV |
| Secondary Voltage (Star Connected)   | $100/\sqrt{3}$ , $110/\sqrt{3}$ , $120/\sqrt{3}$ |                   |                    |                   |
| Rated burden and class   | 0.2  | 10 - 40VA         |                    |                   |
|  | 0.5  | 50 - 100VA        |                    |                   |
|  | 1  | 100 - 200VA       |                    |                   |
| Rated voltage factor   | 1.9  |                   |                    |                   |
| Rated thermal limit  | 400VA/4A   |                   |                    |                   |
| Rated burden for protection and class  | 3P   | 60VA              |                    |                   |
| Insulation class   | E  |                   |                    |                   |
| Ambient temperature  | -5 to 40°C                                       |                   |                    |                   |
| Altitude   | 1000m  |                   |                    |                   |
| Standard   | IEC 60044-2                                      |                   |                    |                   |
| Weight (approx.)   | 60kg   |                   |                    |                   |
| Phases   Limb  | 3 Phase / 5 Limb                                 |                   |                    |                   |
| Drawing number   | A) - 1233  |                   | B) - 1234          |                   |



## Technical Data

| Type:- Resin Encapsulated Single Phase - Unfused     |   |             |       |      |
|--|---|-------------|-------|------|
| Operating voltage (maximum)                          |   | 3.6kV       | 7.2kV | 12kV |
| Rated power - frequency withstand voltage (1 Minute) |   | 16kV        | 20kV  | 28kV |
| Rated Impulse test voltage                           |   | 45kV        | 75kV  | 95kV |
| Rated frequency                                      | 50Hz, 60Hz                                    |             |       |      |
| Rated primary voltage                                |   | 3.3kV       | 6.6kV | 11kV |
| Secondary voltage                                    | $100\sqrt{3}$ , $110\sqrt{3}$ , $120\sqrt{3}$ |             |       |      |
| Rated burden and class                               | 0.2   | 10 - 40VA   |       |      |
|  | 0.5   | 50 - 100VA  |       |      |
|  | 1   | 100 - 200VA |       |      |
|  | 400VA C/1 (6.6kV, 11 kV) 400VA C/3(3.3kV)     |             |       |      |
| Rated voltage factor                                 | 1.2   |             |       |      |
| Rated thermal limit                                  | 400VA/4A                                      |             |       |      |
| Insulation class                                     | E   |             |       |      |
| Ambient temperature                                  | -5 to 40°C                                    |             |       |      |
| Altitude   | 1000m   |             |       |      |
| Standard   | IEC 60044-2                                   |             |       |      |
| Weight (approx.)                                     | 24kg  |             |       |      |
| Drawing number                                       | 2216  |             |       |      |

## Screened Voltage Transformer



### Technical Data

#### Type:- Resin Encapsulated Screened Voltage Transformer

|  |   |             |       |      |  |
|--|---|-------------|-------|------|--|
| Operating voltage (maximum)                            |   | 3.6kV       | 7.2kV | 12kV |  |
| Rated power - frequency withstand voltage(1 Minute)    |   | 16kV        | 20kV  | 28kV |  |
| Rated Impulse test voltage                             |   | 45kV        | 75kV  | 95kV |  |
| Rated frequency  | 50Hz, 60Hz                                |             |       |      |  |
| Rated primary voltage(Star Point connection insulated) |   | 3.3kV       | 6.6kV | 11kV |  |
| Secondary voltage (Star Point connection)              | 100/√3, 110/√3, 120/√3                    |             |       |      |  |
| Rated burden and class                                 | 0.2                                       | 10 - 40VA   |       |      |  |
|  | 0.5                                       | 50 - 100VA  |       |      |  |
|  | 1   | 100 - 200VA |       |      |  |
|  | 400VA CL1 (6.6kV, 11kV) 400VA CL3 (3.3kV) |             |       |      |  |
| Rated voltage factor                                   | 1.2                                       |             |       |      |  |
| Rated thermal limit                                    | 400VA/4A                                  |             |       |      |  |
| Insulated class  | E   |             |       |      |  |
| Ambient temperature                                    | -5 to 40° C                               |             |       |      |  |
| Altitude   | 1000m                                     |             |       |      |  |
| Standard   | IEC 60044-2                               |             |       |      |  |
| Weight (approx.)                                       | 32kg                                      |             |       |      |  |
| Drawing number   | 2395                                      |             |       |      |  |

Knights, Boksburg

Cnr Staal & Myrna Streets

Knights

1401

Gauteng

P O Box 1564

Knights

1400

Tel: +27 (0) 11 822-2300

Fax: +27 (0) 11 822-3301

email: [currelec@iafrica.com](mailto:currelec@iafrica.com)