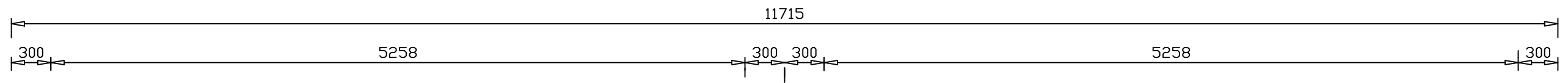
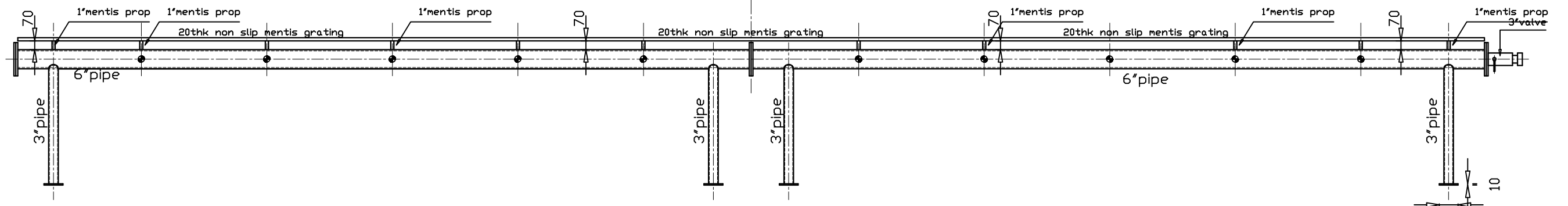


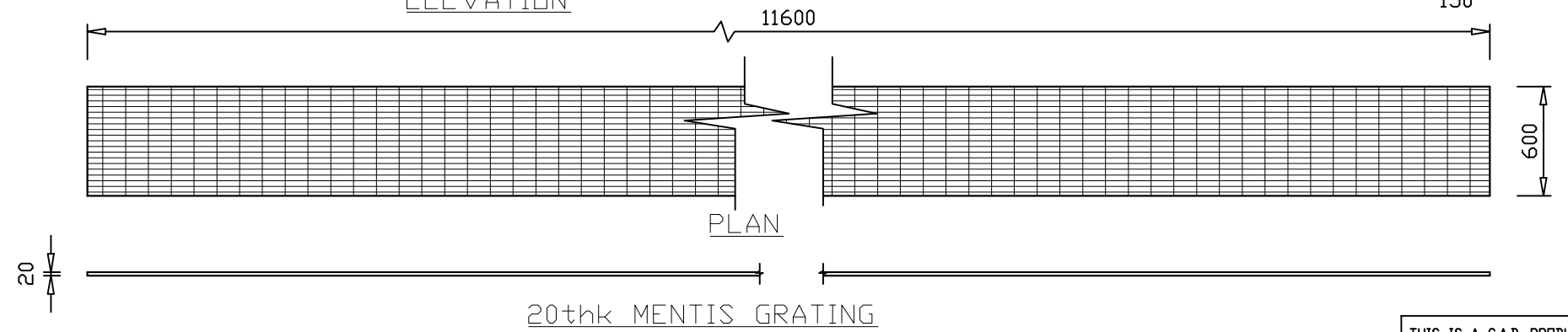
PLAN



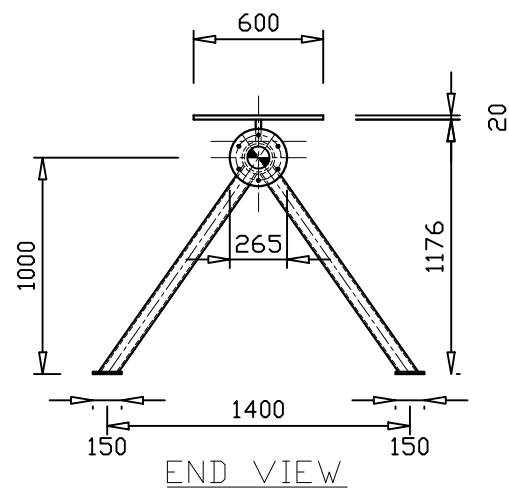
ELEVATION



PLAN



20thk MENTIS GRATING



END VIEW

- NOTES
- 1.WELDS TO BE 6mm CONT. FILLETS.
  - 2.WIRE BRUSH AFTER WELDING AND APPLY CORROSION PROTECTIVE PAINT.
  - 3.MATERIAL TO BE BS 4504 10 T/D

THIS IS A C.A.D. PRODUCED DRAWING.  
ALL MODIFICATIONS MUST BE CARRIED  
OUT USING THE AUTOCAD SYSTEM

FIM AFRICA			
SCALE 1:1 AT A1	PROJECT TITLE MOTOCROSS CIRCUIT WASH BAY MANIFOLD	DRN J.M	APPROVED BY: K.B
DESCRIPTION	FABRICATION DETAILS		
DATE	14-02-2019		SHT 2 OF 2